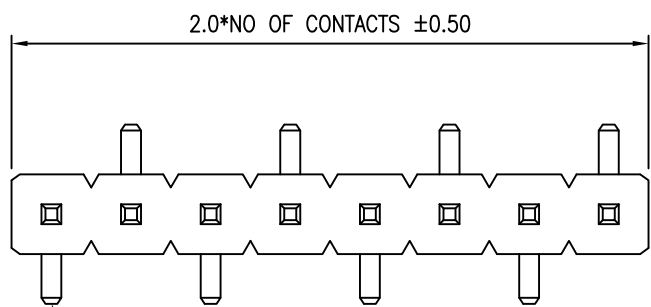
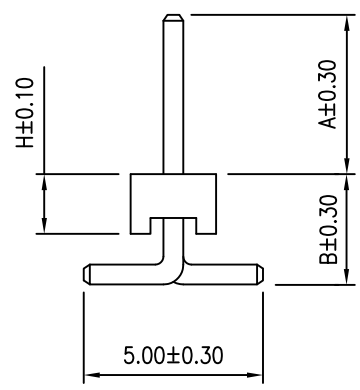
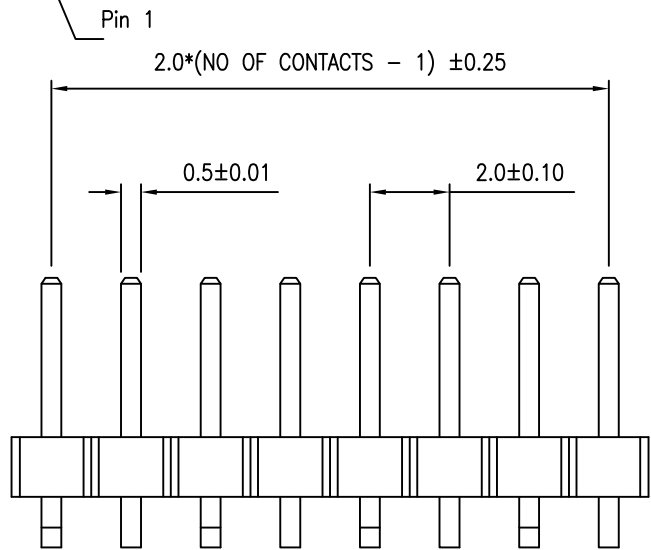
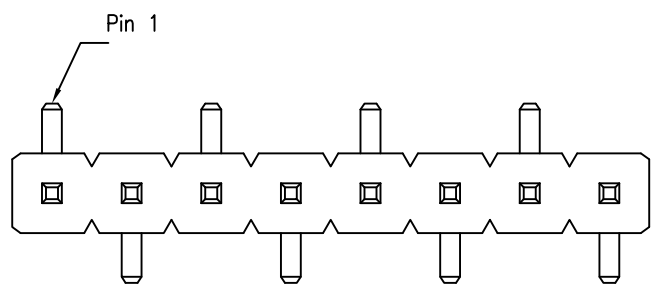


REV	ECN NO.	APP.	DATE
A	NEW DESIGN		

A TYPE



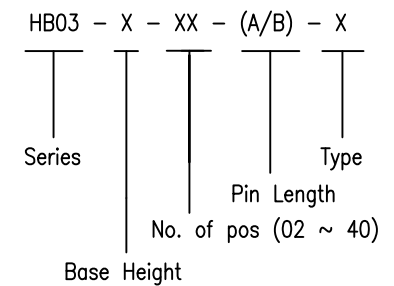
B TYPE



SPECIFICATION

- * Current Rating: 2 A
- * Withstanding Voltage: 500 VAC (1 min.)
- * Insulation Resistance: 1000 Megohms MIN.
- * Contact Resistance: 30 Milliohms MAX.
- * Operating Temperature: -40°C to +105°C

ORDER INFORMATION



MATERIAL

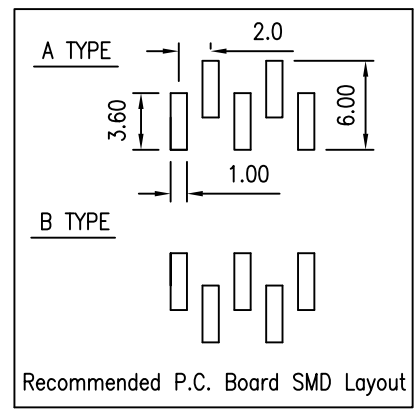
- * Contact: Brass
0.50mm square post
- * Insulator: PA6T & 30% G.F.
- * Plating: All Gold

Pin Chart

Pin	A	B
1	3.50	2.50
2		
3		

Base Height

Base	H
1	2.0
2	1.5
3	1.0



(주)신화테크 SHINHWA TECH CO.,LTD
 TEL : 031-451-9441 FAX : 031-451-9444

0.0±	SCALE:	TITLE:	PART NO:
0.00±	UNIT: MM	2.0MM Pin Header Single Row SMD	APP BY:
0.000±		MATL: PA6T + 30% GF	CHK BY:
		DWG. NO. HB03	DR BY: